

# SB 202

---

## Hydraulic breaker

SB 202 from s/n BES 051618



Units: Metric Imperial

Technical Specifications	
Carrier weight class	5500 - 13250 lb
Service weight **	440 lb
Oil flow	9 - 17.5 gpm
Operating pressure	1450 - 2175 psi
Impact rate	850 - 1800 blows/min
Working tool diameter	2.56 inch
Working length of tool	11.8 inch
Max. hydraulic input power	17 kW
Sound power level guaranteed	118 dB(A)
Sound pressure level (r=10m) ***	90 dB(A)

Units: Metric Imperial

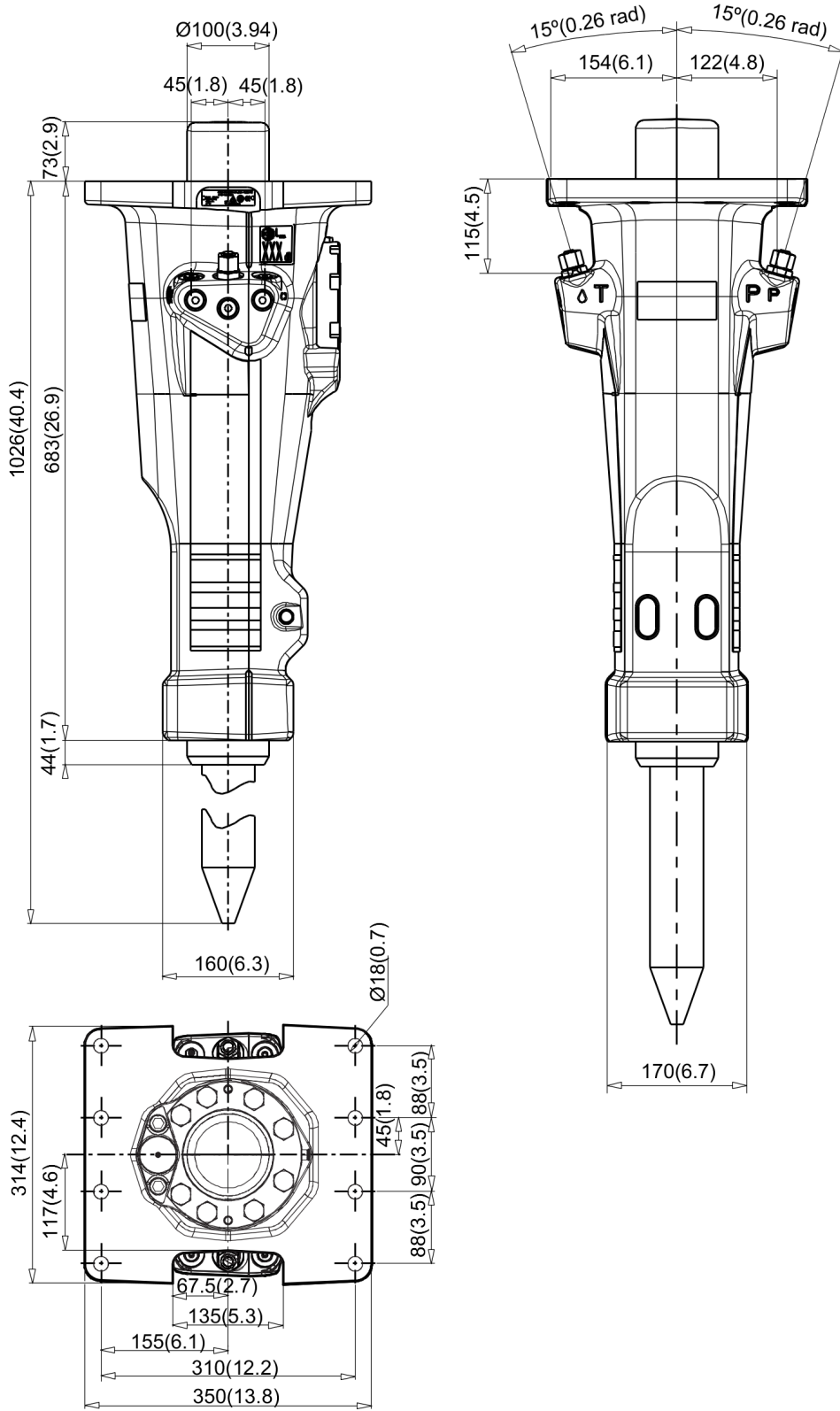
Technical Specifications	
Carrier weight class	2.5 - 6 t
Service weight **	200 kg
Oil flow	35 - 65 l/min
Operating pressure	100 - 150 bar
Impact rate	850 - 1800 blows/min
Working tool diameter	65 mm
Working length of tool	300 mm
Max. hydraulic input power	17 kW
Sound power level guaranteed	118 dB(A)
Sound pressure level (r=10m) ***	90 dB(A)



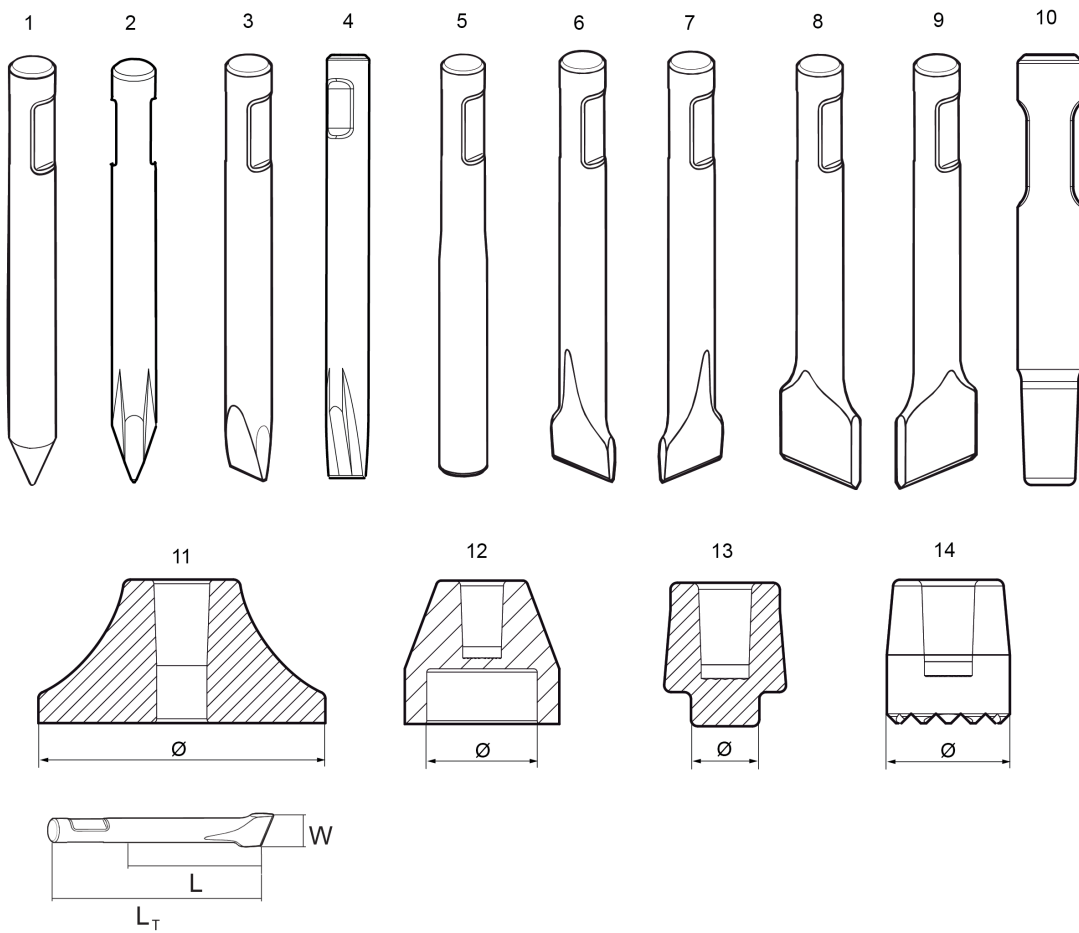
## ■ BREAKERS

	Hitting power*	Blows/min	Weight
<b>SB 52</b>	101 J/Nm	960 – 1 700	55 kg/121 lbs
<b>SB 152</b>	254 J/Nm	840 – 1 900	140 kg/309 lbs
<b>SB 202</b>	406 J/Nm	850 – 1 800	200 kg/441 lbs
<b>SB 302</b>	610 J/Nm	600 – 1 400	310 kg/683 lbs
<b>SB 452</b>	855 J/Nm	550 – 1 250	441 kg/972 lbs
<b>SB 552</b>	1 048 J/Nm	650 – 1 150	520 kg/1 146 lbs

**Mechanical** Dimensions mm (in.)



Options / accessories Working tools SB 202



Item	Part No.	Name	Qty	L
1	3083316200	Moil point	1	A
1	3083316201	Moil point	1	B
2	3363098252	Moil point (X-Profile)	1	C
3	3083316100	Chisel (cross)	1	D
3	3363098375	Chisel (cross)	1	E
4	3363098253	Chisel (X-profile)	1	F
5	3083341100	Blunt tool	1	G
6	3083316300	Wide chisel (cross)	1	H
7	3083316700	Wide chisel (parallel)	1	I
8	3083340946	Asphalt cutter (cross)	1	J
9	3083340947	Asphalt cutter (parallel)	1	K
10	3315370200	Shaft	1	L
11	3315370900	Tamping pad (square)	1	M
12	3315371700	Post driver pad (round)	1	N
13	3315372300	Pile driver pad (round)	1	O
14	3315373000	Bushing pad (round)	1	P

Comments for Page: Working tools SB 202

(L)OCAL REMARKS

A | L=300 mm, LT=600 mm, Wt=13 kg

L= 11.81 inch, LT=23.62 inch, Wt= 28.66 lb

B | L=600mm, LT=900 mm, Wt=21 kg

L= 23.62 inch, LT=35.43 inch, Wt= 46.30 lb

C | L=300 mm, LT=600 mm, Wt=13 kg

L= 11.81 inch, LT=23.62 inch, Wt= 28.66 lb

D | W=65 mm, L=300 mm, LT=600 mm, Wt=14 kg

W=2.56 inch, L= 11.81 inch, LT=23.62 inch, Wt= 30.86 lb

E | W=65 mm, L=600 mm, LT=900 mm, Wt=22 kg

W=2.56 inch, L= 23.62 inch, LT=35.43 inch, Wt= 48.50 lb

F | W=65 mm, L=300 mm, LT=600 mm, Wt=13 kg

W=2.56 inch, L= 11.81 inch, LT=23.62 inch, Wt= 28.66 lb

G | L=300 mm, LT=600 mm, Wt=15 kg

L = 11.81 inch, LT=23.62 inch, Wt= 33.07 lb

H | W=130 mm, L=350 mm, LT=650 mm, Wt=16 kg  
W=5.12 inch, L= 13.78 inch, LT=25.60 inch, Wt= 35.27 lb

I | W= 130 mm, L=350 mm, LT=650 mm, Wt=16 kg  
W=5.12 inch, L= 13.78 inch, LT=25.60 inch, Wt= 35.27 lb

J | W=140 mm, L= 350 mm, LT=650 mm, Wt=16 kg  
W=5.12 inch, L= 13.78 inch, LT=25.60 inch, Wt= 33.07 lb

K | W=140 mm, L=350 mm, LT= 650 mm, Wt= 16 kg  
W=5.12 inch, L= 13.78 inch, LT=25.60 inch, Wt= 33.07 lb

L | LT=600 mm, Wt=21 kg  
LT=23.62 inch, Wt= 0.83 lb

M | W=Ø300 mm, Wt=33 kg  
LT=Ø11.81 inch, Wt=1.30 lb

N | W=Ø150 mm, Wt=21 kg  
LT=Ø5.9 inch, Wt=0.83 lb

O | W=Ø100 mm , Wt=9 kg  
LT=Ø3.9 inch, Wt=0.35 lb

P | W=Ø130 mm ,Wt=9,8 kg  
LT=Ø5.1 inch, Wt=0.38 lb

---