

# SB 452

---

## Hydraulic breaker

SB 452 from s/n BES043603



Units: **Metric** **Imperial**

Technical Specifications	
Carrier weight class	14300 - 28650 lb
Service weight **	970 lb
Oil flow	14.5 - 26.5 gpm
Operating pressure	1450 - 2175 psi
Impact rate	550 - 1250 blows/min
Working tool diameter	3.74 inch
Working length of tool	18.4 inch
Max. hydraulic input power	25 kW
Sound power level guaranteed	122 dB(A)
Sound pressure level (r=10m) ***	94 dB(A)

Units: **Metric** **Imperial**

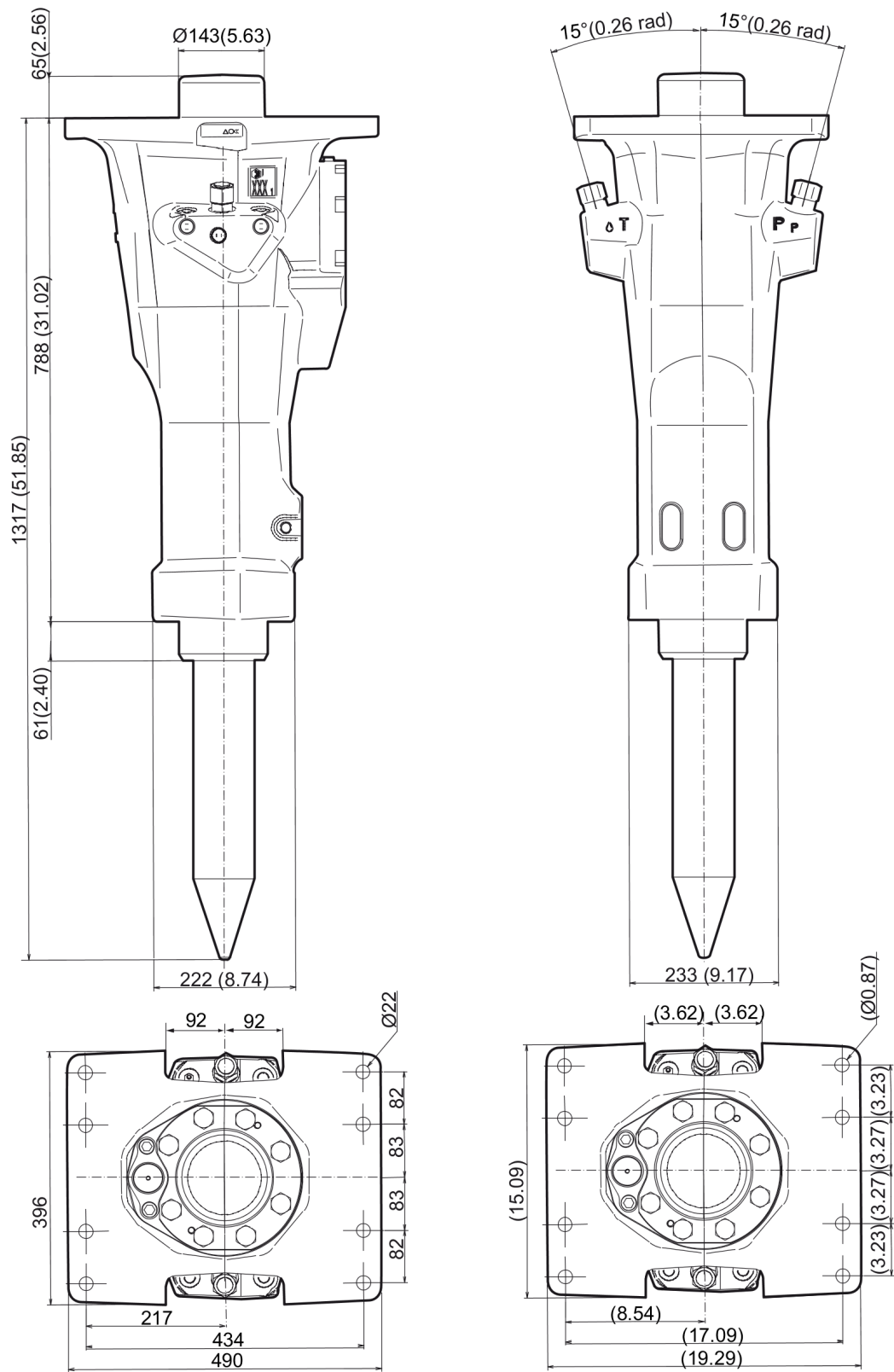
Technical Specifications	
Carrier weight class	6.5 - 13 t
Service weight **	440 kg
Oil flow	55 - 100 l/min
Operating pressure	100 - 150 bar
Impact rate	550 - 1250 blows/min
Working tool diameter	95 mm
Working length of tool	470 mm
Max. hydraulic input power	25 kW
Sound power level guaranteed	122 dB(A)
Sound pressure level (r=10m) ***	94 dB(A)



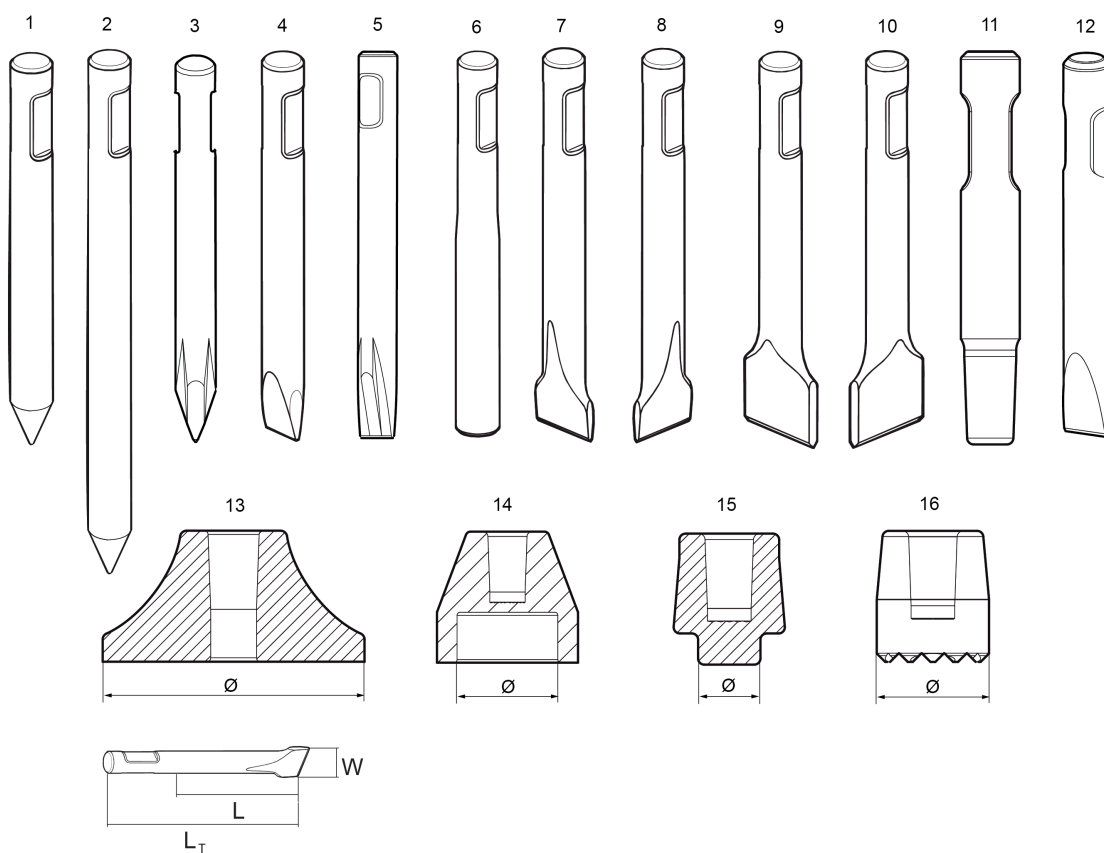
## **BREAKERS**

	<b>Hitting power*</b>	<b>Blows/min</b>	<b>Weight</b>
<b>SB 52</b>	101 J/Nm	960 – 1 700	55 kg/121 lbs
<b>SB 152</b>	254 J/Nm	840 – 1 900	140 kg/309 lbs
<b>SB 202</b>	406 J/Nm	850 – 1 800	200 kg/441 lbs
<b>SB 302</b>	610 J/Nm	600 – 1 400	310 kg/683 lbs
<b>SB 452</b>	855 J/Nm	550 – 1 250	441 kg/972 lbs
<b>SB 552</b>	1 048 J/Nm	650 – 1 150	520 kg/1 146 lbs

Dimensions Dimensions (mm)



Working tools Working tools SB 452



Item	Part No.	Name	Qty	L
1	3083317700	Moil point	1	A
2	3083317714	Moil point	1	B
3	3363098256	Moil point (X-profile)	1	C
4	3083317800	Chisel (cross)	1	D
5	3363098257	Chisel (X-profile)	1	E
6	3083318800	Blunt tool	1	F
7	3083317900	Wide chisel (cross)	1	G
8	3083340936	Wide chisel (parallel)	1	H
9	3083319801	Asphalt cutter (cross)	1	I
10	3083319800	Asphalt cutter (parallel)	1	J
11	3315370400	Shaft	1	K
12	3083342406	Narrow chisel	1	L
13	3315371200	Tamping pad (square)	1	M
14	3315372000	Post driver pad (round)	1	N
15	3315372600	Pile driver pad (round)	1	O
16	3315373200	Bushing pad (round)	1	P

Comments for Page: Working tools SB 452

(L)OCAL REMARKS

A | L=465 mm, LT=840 mm, Wt=40 kg

L=18.3 inch, LT=33.1 inch, Wt=88 lb

B | L=1025 mm, LT=1400 mm, Wt=67 kg

L=40.3 inch, LT=55.1 inch, Wt=148lb

C | L=465 mm, LT=840 mm, Wt=39 kg

L=18.3 inch, LT=33.1 inch, Wt=86 lb

D | W=95 mm, L=465 mm, LT=840 mm, Wt=43 kg

W=3.7 inch, L=18.3 inch, LT=33.1 inch, Wt=95 lb

E | W=95 mm, L=465 mm, LT=840 mm, Wt=40 kg

W=3.7 inch, L=18.3 inch, LT=33.1 inch, Wt=88 lb

F | L=465 mm, LT=840 mm, Wt=40 kg

L=18.3 inch, LT=33.1 inch, Wt=88 lb

G | W=180 mm, L=425 mm, LT=800 mm, Wt=40 kg

W=7 inch, L=16.7 inch, LT=31.5 inch, Wt=88 lb

H | W=180 mm, L=425 mm, LT=800 mm, Wt=40 kg

W=7 inch, L=16.7 inch, LT=31.5 inch, Wt=88 lb

I | W=200 mm, L=435 mm, LT=850 mm, Wt=39 kg

W=7.9 inch, L=17.1 inch, LT=33.5 inch, Wt=86 lb

J | W=200 mm, L= 435 mm, LT=850 mm, Wt=39 kg

W=7.9 inch, L=17.1 inch, LT=33.5 inch, Wt=86 lb

K | LT= 700 mm, Wt= 37 kg

LT=27.6 inch, Wt=82 lb

L | W= 95 mm, L=300 mm, LT= 680 mm, Wt=33 kg

W=3.7 inch, L=11.8 inch, LT=26.8 inch, Wt=73 lb

M | W= Ø400 mm, Wt=80 kg

W= Ø15.7 inch, Wt=176 lb

N | W=Ø200 mm, Wt=33 kg

W= Ø7.9 inch, Wt=73 lb

O | W=Ø150 mm, Wt=26 kg

W= Ø5.9 inch, Wt=57 lb

P | W=Ø190 mm, Wt=30 kg

W= Ø7.5 inch, Wt=66 lb

---