

CC7100 PRODUCTION WALK BEHIND SAW



SELF PROPELLED

14"-42"

Turbo Charged Diesel Production Walk Behind Saw



Horsepower as
rated by the engine
manufacturer

Parts List # 1800333

Blade not included

Features:

- Turbo charged diesel engine for longer life and lower maintenance
- 16-3/4" cutting depth with 42" model
- Gear drive system
- Comes standard with shaft tachometer
- 4-stage cyclone air filter

Benefits:

- Forward positioned motor for more weight on the blade (where it's needed) and less on the operator
- Excellent for bridge deck and parapet sawing
- Extra heavy duty reinforced single piece frame, designed specifically for the Deutz engine

CC7172 SAWS

Model #	Engine Type	Part #	Cat #	Blade Capacity	Uncrated/ Crated Weight (lbs.)
CC7172-14	74 HP Deutz Turbo Diesel	5800220	02321	14"	1,790/1,915
CC7172-20	74 HP Deutz Turbo Diesel	5800221	47703	20"	1,800/1,925
CC7172-26	74 HP Deutz Turbo Diesel	5800222	02322	26"	1,810/1,935
CC7172-30	74 HP Deutz Turbo Diesel	5800223	48513	30"	1,820/1,945
CC7172-36	74 HP Deutz Turbo Diesel	5800224	02323	36"	1,830/1,955
CC7172-42	74 HP Deutz Turbo Diesel	5800225	47494	42"	1,840/1,975



CC7100 Control Panel with drive lever, power raise/lower buttons and gauges

CC7100 Specifications:

Maximum depth of cut with 14" blade: **4-1/2"**
 Maximum depth of cut with 20" blade: **7-1/2"**
 Maximum depth of cut with 26" blade: **10-1/2"**
 Maximum depth of cut with 30" blade: **11-3/4"**
 Maximum depth of cut with 36" blade: **14-3/4"**
 Maximum depth of cut with 42" blade: **16-3/4"**
 Blade shaft diameter: **1-3/4"**
 Arbor size: **1" w/drivepin**
 Blade shaft drive: **10 belt primary**
 Blade mounting: **Right or Left**
 Blade raise & lower: **Electro-hydraulic pump**
 Transmission: **Eaton Model 10**
 Drive speed: **0-200 feet/min**
 Air filter: **4 stage**
 Fuel capacity: **9 gallons**

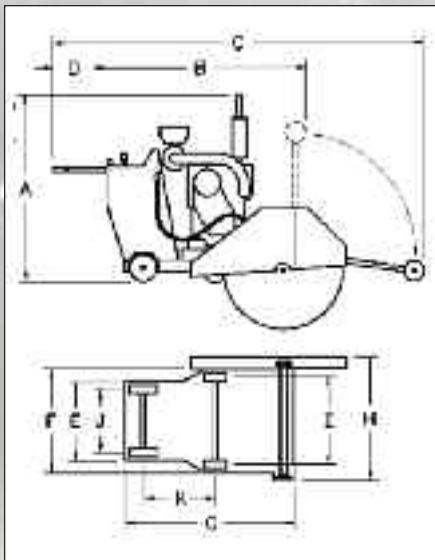
INCLUDES:

- Electric start
- Hour meter
- Cutting depth indicator
- Quick disconnect blade flanges
- Slip-on blade guard
- High temperature shutoff
- Quick release rear wheels
- Frame lift
- Telescoping front pointer



CC7100 OPTIONS

Description	Part #	Cat #
Catalytic Muffler Upgrade Only	6011309	95172
Water Safety Switch	6010522	67821
Water Pump (electric)	6011032	02506
Spot Light	6010112	02427
Lowering Speed Metering Valve	6010227	02480
Blade stacking kit - 4-1/2" flange (for blades 1-1/2" apart)	6010630A	23186
Blade spacing kit - 4-1/2" flange (for blades 2" apart)	6010631A	23187
Blade spacing kit - 4-1/2" flange (for blades 4" apart)	6010632A	16558
Parking Brake	6011228	81191
Glow Plug	6010596	70748
14" Slip-on Blade Guard	6010600	70755
20" Slip-on Blade Guard	6010602	68717
26" Slip-on Blade Guard	6010604	67818
30" Slip-on Blade Guard	6010606	67819
36" Bolt-on Blade Guard	6010608	67820
42" Bolt-on Blade Guard	6010610	70756



CC7100 Dimensions:

A. Saw Height	63"
B. Minimum Length, Pointer Up Handle in Lower Position	61"
C. Maximum Length, Pointer Down, Handle in Upper Position	126"
D. Handle Extension	24"
E. Frame Width (Rear)	27-5/8"
F. Frame Width (Front)	37"
G. Frame Length	51"
H. Saw Width	43-1/4"
I. Front Axle Center Length	31"
J. Rear Axle Center Length	24-1/2"
K. Wheel Base Length	23-7/8"
L. Blade Shaft Max Height	22-1/2"
Front Wheel Dimensions	8" x 3" x 1"
Rear Wheel Dimensions	10" x 3" x 1-1/4"
Crated Saw Dimensions	64" L x 44" W x 70" H