



PNEUMATIC ROCKDRILLS

DIAMOND DRILLS

REPLACEMENT PARTS

PARTS HEADQUARTERS INC.

1175 Appleby Line, Unit C2, Burlington, Ontario, Canada L7L 5H9 Phone 905-332-3271 Fax 905-332-9497 Email info@partshq.com

JOY AL60M Jackleg

All internal parts in the JOY AL60M Jacklegs are also used in JOY Stoppers, and JOY Sinker drills.

Drill delivers high penetration, and powerful torque.

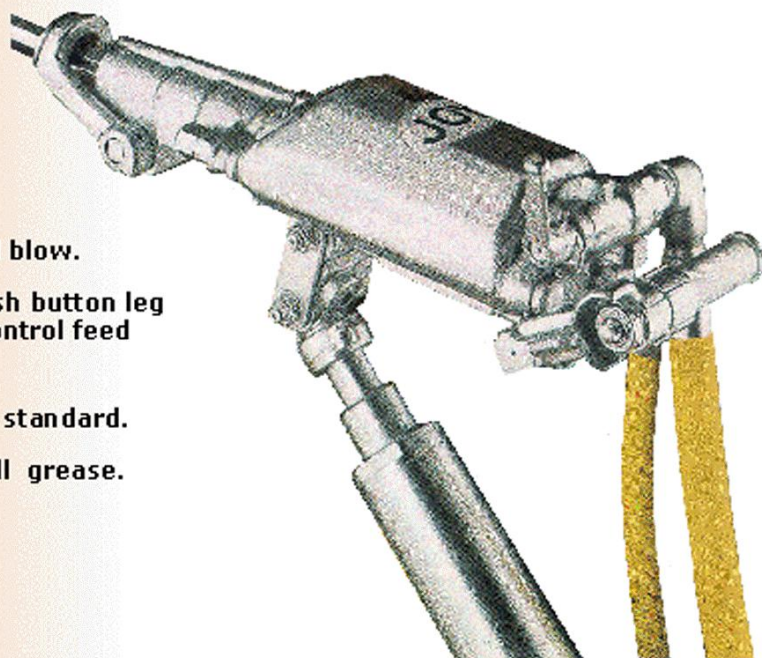
Larger mating faces between major cylinder components for longer life and less wear.

Improved pusher leg is available with a stainless steel piston rod to prevent corrosion and pitting. Positive lubrication with good front end blow.

Convenient operating controls, with push button leg retraction and adjustable motorcycle control feed located on the backhead of the drill

Locking steel retainer for collared steel standard.

Uses rock drill oil or triple zero rock drill grease.



JOY AL60M Jackleg Drill

PHQ's reliable AL60M drills are the jackleg drills of choice in the Sudbury Nickel Mines



ISO 9001:2000

Certificate: 002485
SIC 5082

www.partshq.com

JOY AL60M Jackleg Drill

Features

Large mating faces on components bodies for less wear and longer life

Reduced weight for ease of handling.

JOY AL60M Jackleg Specifications

CYLINDER BORE

3 $\frac{1}{8}$ inches – 79.4mm

CYLINDER STROKE

2 $\frac{1}{2}$ inches – 63.5mm

AIR CONSUMPTION

200cfm @90psi – 5.7cu m/m @620kPa

BLOWS PER MINUTE

2250bpm @ 90psi – 2250bpm @620kPa

SHANK SIZE - Collared

7 $\frac{1}{8}$ inch x 4 $\frac{1}{4}$ inch - 22mm x 108mm

LENGTH

Drill 22 inches – 559mm

Leg Retracted 60 inches – 1530mm

Leg Extended 91 inches – 2317mm

WEIGHT

Drill 71 lb – 32kg

Leg 30 lb – 14kg

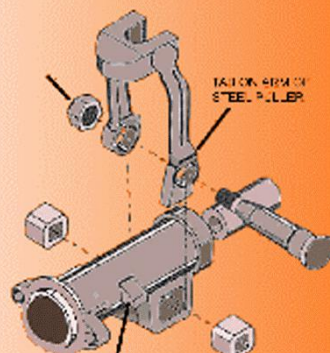
JOY AL60 Jackleg configurations:

- JHM Integral steel muffler
- JHS Standard exhaust
- L Complete with Leg

AL60JHML

Muffled jackleg collared c/w steel retainer & leg

LOCKING FRONT END



**PHQ carries a full range of parts
for JOY AL60M drills in stock.**

**Parts made in Canada to
precise specifications using only
the highest quality tool steel**

www.partshq.com

©2003 Parts HeadQuarters Inc. All Rights Reserved. Terms of use.

PB005.04.2005