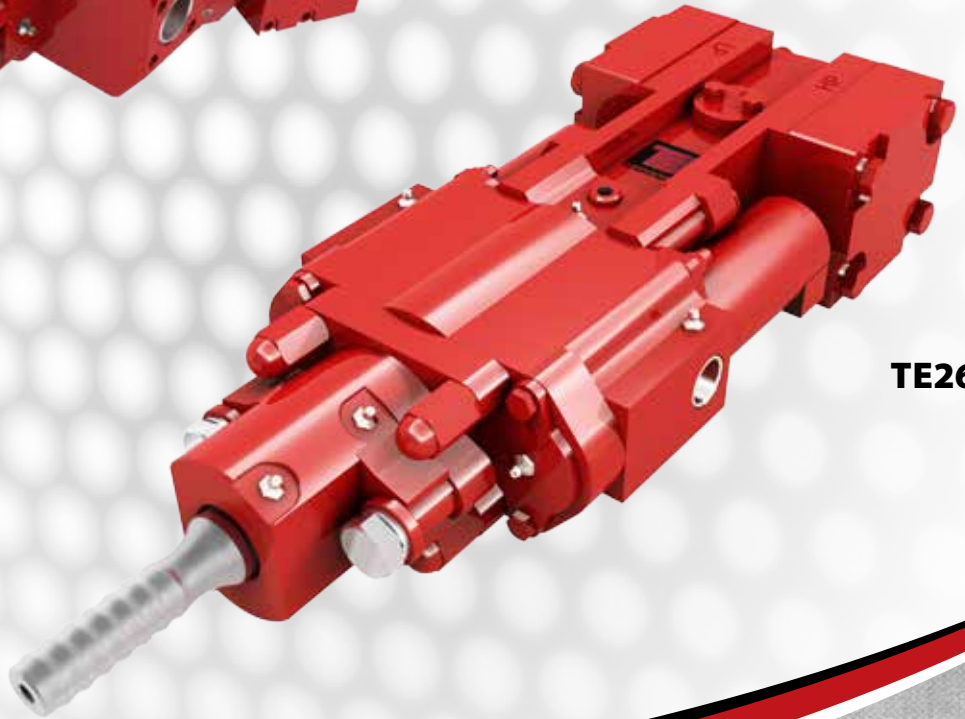
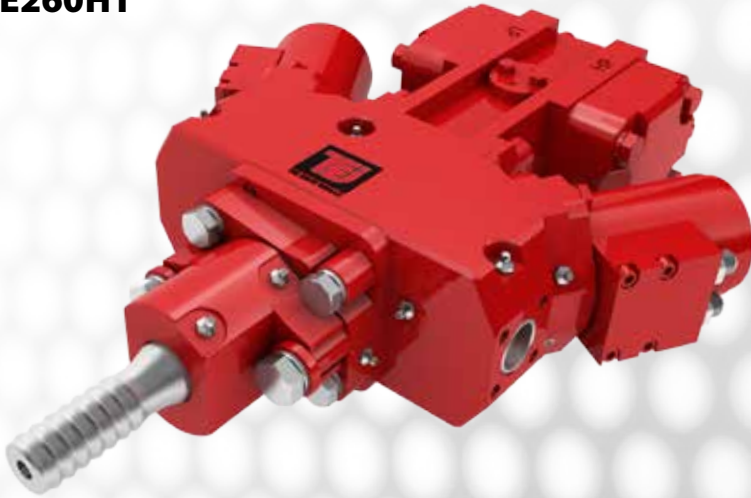


TE260HT



TE260

TE260HT & TE260

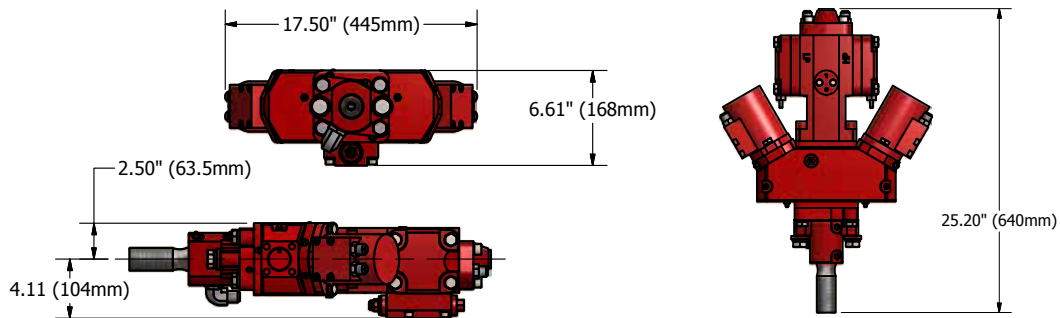
HYDRAULIC DRIFTER

- Internal Percussion Dampening System
- Compact Design for Drifting & Tunneling
- High-Torque Design for Hollow Bars

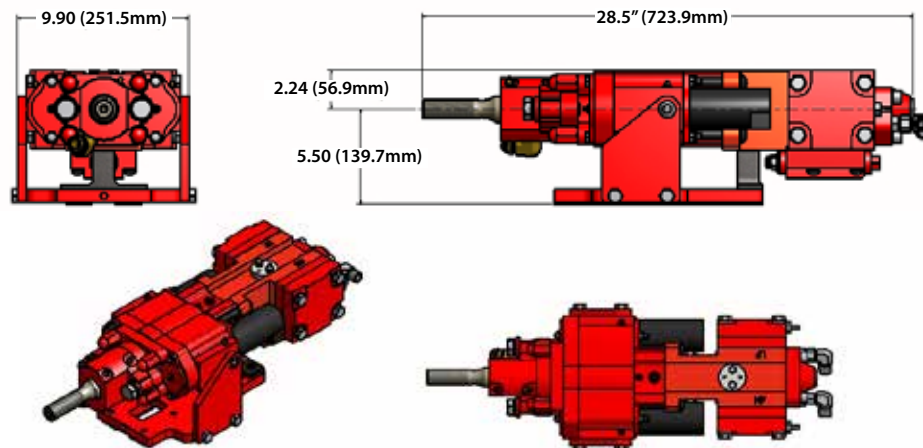


TE260HT & TE260 | HYDRAULIC DRIFTER

TE260HT



TE260



| | TE260HT | | TE260 | |
|-------------------------|---|-----------|---------------|---------------|
| | US | METRIC | US | METRIC |
| Rotation Torque | 1,000 lbf-ft | 1350 Nm | 200 ft/lbs | 27 daNm |
| Rotation Speed | 0-250 RPM | 0-250 RPM | Up to 250 RPM | Up to 250 RPM |
| Rotation Flow | 8-14 GPM | 30-53 LPM | 5 GPM | 19 LPM |
| Weight | 182 lbs | 83 kgs | 144 Lbs | 65 Kg |
| Shanks Available | 1.0 Rope, 1.25 Rope, 1.50 Rope, T38, Williams 32, Williams 38, Titan 30, Titan 40 | | | |

| | TE260 PERCUSSION UNIT | |
|-------------------------|-----------------------|---------------|
| | US | METRIC |
| Impact Energy | 65-95 ft/lbs | 88-129 joules |
| Impact Frequency | 3600-5000 BPM | 3600-5000 BPM |
| Supply Pressure | 2250 PSI | 155 bar |
| Percussion Flow | 17 GPM | 64 LPM |
| Output Power | 9.85 HP | 7.35 kW |



ACF GEARED CHAIN FEED WITH HYDRAULIC MOTOR

| FEED SPECIFICATION | | |
|--------------------|----------------|-----------------|
| MODEL NO. | DRILL TRAVEL | FEED LENGTH |
| ACF4 | 4.5' (1372mm) | 82.5" (2096mm) |
| ACF5 | 5.5' (1676mm) | 94.5" (2400mm) |
| ACF6 | 6.5' (1981mm) | 106.5" (2705mm) |
| ACF8 | 8.5' (2591mm) | 130.5" (3315mm) |
| ACF10 | 10.5' (3200mm) | 154.5" (3924mm) |

PCF538 5.4 HP
FEED DRIVE WITH 1500 lbf. (6672N)
THRUST/PULL

ALL TECHNICAL DATA AT
6.5 gpm (25 Lpm), 2500 psi (180 bar)

